

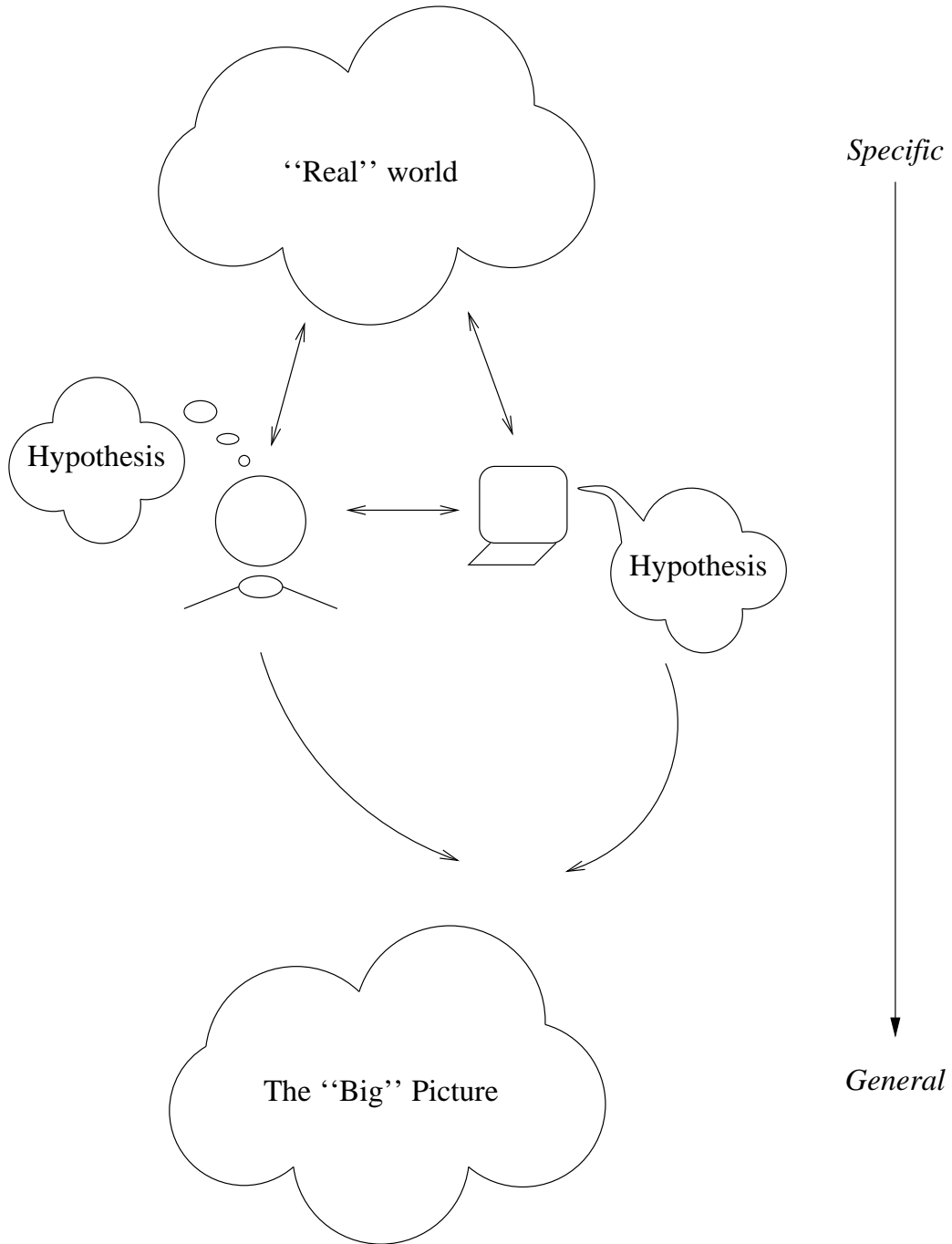
# Imagine

- An assistant who suggested to  
**Kepler** that an ellipse best fitted Brahe's observations of Mars  
**Ramanujan** that the numbers like 12 were like  $2^{a_1} \times 3^{a_2}$  where  $a_1 \geq a_2$   
**Rachmaninoff** that he had a tendency to anticipate notes in some conditions
- How much more would such a Sorcerer and Apprentice team have achieved . . .

# Machines as “intelligent assistants”

- Science
  - Forming and refining new theories
- Engineering
  - Data analysis
  - Training professionals
- Arts
  - Artist/author-specific patterns
  - Suggesting playing method
- “Assistance” should be understandable

# 2-Way Learning



# ILP: Areas of Application

**Science.** Protein shape prediction, drug structure activity prediction, . . .

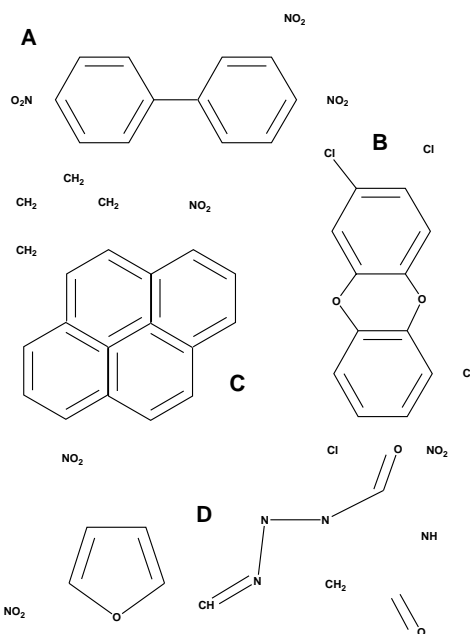
**Engineering.** Finite element mesh design, satellite fault diagnosis, circuit design, automobile traffic-flow analysis, intelligent software agents for the Internet, reconstruction of simulator models, numerical prediction, . . .

**Language.** Part-of-speech disambiguation from large real-world corpora, learning grammars, . . .

**Music.** Analysis of Rachmaninoff's pianoforte performances, . . .

# Scientific Application: Mutagenesis

**Task.** Find rules describing highly mutagenic compounds using molecular structure of chemicals



- ILP found new structural alert for poorly-understood subset

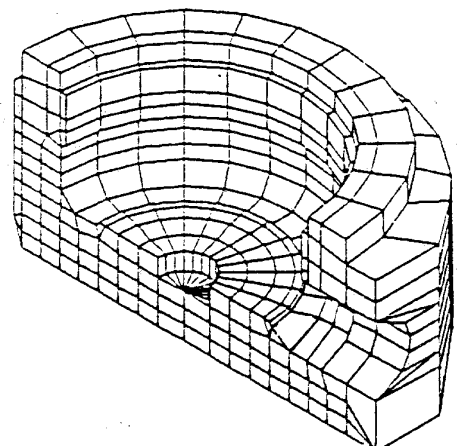
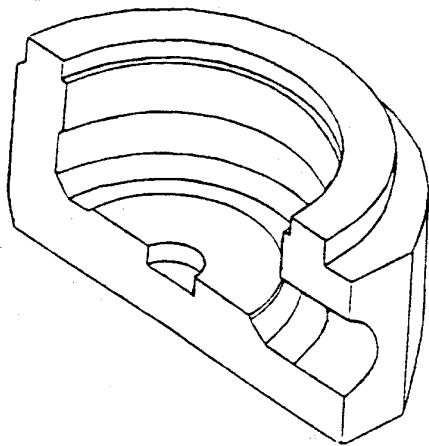
- Example rule:

A chemical is mutagenic if:

it contains a double bond conjugated to a  
5-membered aromatic ring via a carbon atom

# Engineering Application: Mesh-Design

**Task.** Find correct mesh resolution (partitions) for component parts of a physical object using factors such as the type of edges, boundary conditions and loadings, shape of the structure etc.



- ILP derived rules being incorporated into a commercial program for mesh-design

- Example rule:

The resolution of an edge A is 2 elements if:  
it is an ‘‘important short’’ edge, and  
it is adjacent to an element B, and  
B is completely fixed, and  
B contains no load.





- Example rule:

A word cannot be a past participle if:  
it is sandwiched between a determiner (right) and  
a noun-phrase (left)

# Music Application: Interpreting Rachmaninoff

**Task.** Find interpretive rules that may have been used by Rachmaninoff using Ampico recordings of his piano performances (ca. 1920, records notes, duration, tempo, dynamics of key pressure, pedalling in a digital form)



- ILP rules conform to musical expectations and find some unusual patterns

- Example rules:

A note marked ‘‘staccato’’ is interpreted by:  
a severe shortening of the note followed by  
lengthening the gap before the next note

A note is played slightly earlier than indicated if:  
it appears at the beginning of a bar